



Features:

- > IP 66 Protection To IEC 60529:2013
- > Grey RAL 7035 Epoxy UV resistant Powder coat (80-120 Micron)
- > 1.2 mm thick Mild steel
- > Reversible hinged door- 120° opening
- > Chrome plated metal lock
- > Zinc Plated wall mounting Brackets (pk4)
- > 1.5mm Galvanised Mounting Plate
- > Polyurethane door seal
- > Recessed gland plate with sealing gasket
- > Earth Studs on body & door

References:

- > Dimensional data: page 2
- > Accessories: page 3

Tech info / Resources:

- > EKM Enclosure applications: page 4
- > Maintenance: page 5

Images are representative of EKM single door, single lock enclosures, please refer to dimensional data below

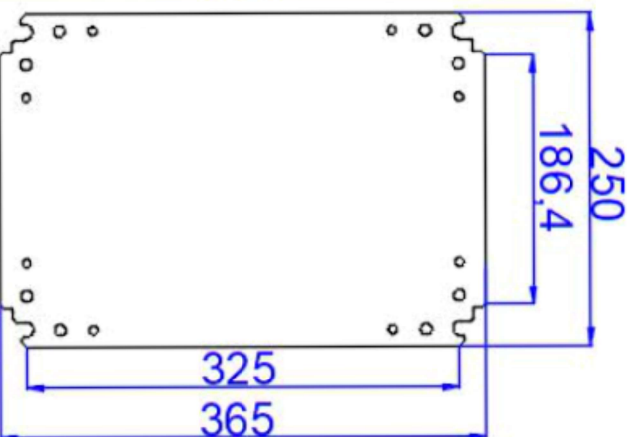
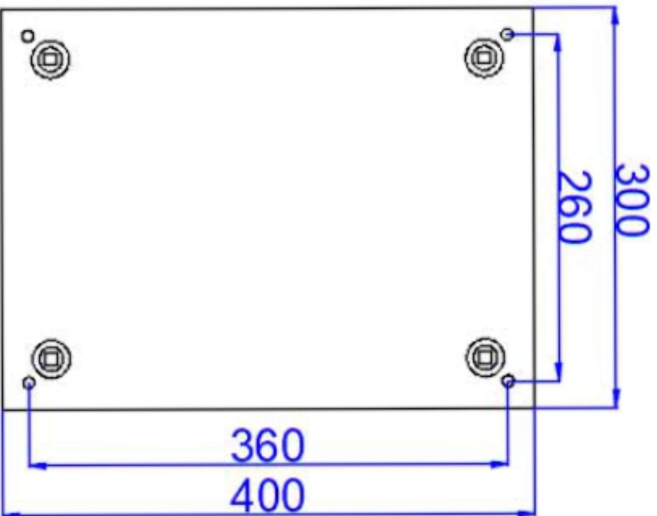
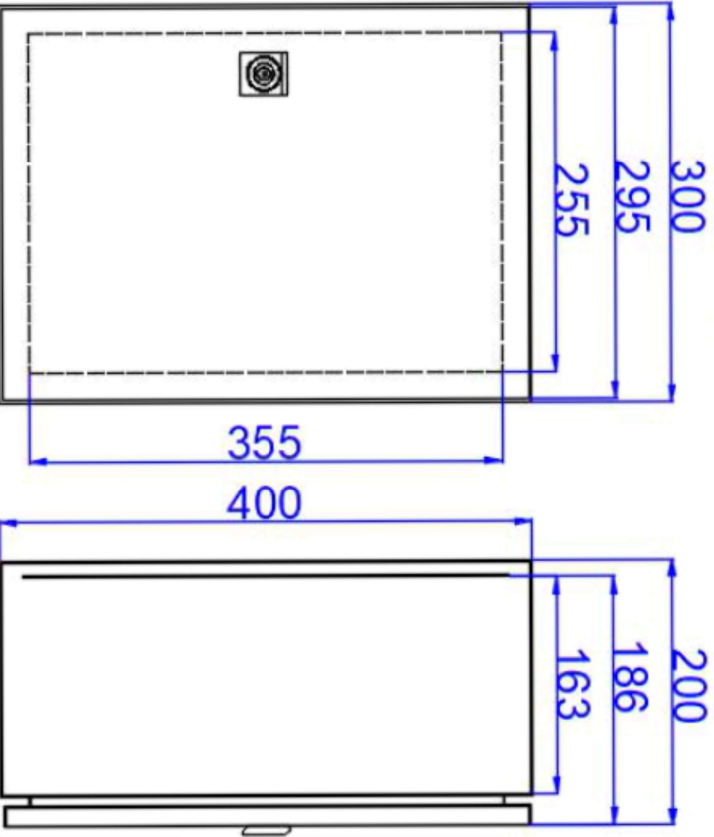
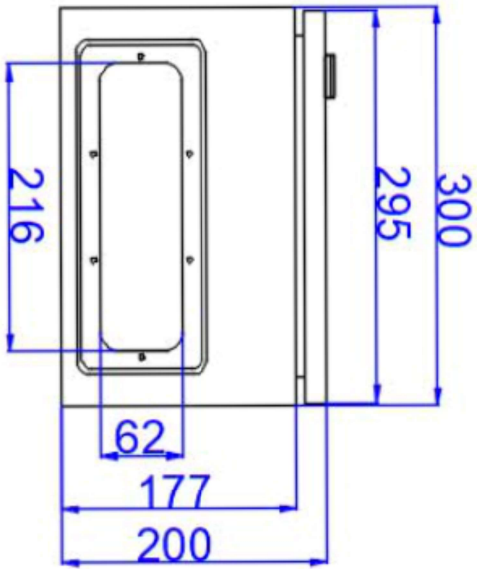
EKM403020 | 400H 300W 200D,
IP66 Electrical Enclosure

ENCLOSURE
SOLUTIONS

Heathcote NSW 2233

0448 085 061

ekm@enclosuresolutions.com.au



NB: Manufacturers drawings are subject to change without notice

Accessories

Lock options



Lock Options

Keyed Cylinder	EKM-KC
Keyed wing handle	EKM-KWH
L-Handle, Chrome	EKM-LHC
Pad-lockable handle, Chrome	EKM-PHC
Pad-lockable handle, Stainless	EKM-PHS

Rain canopy / hood



Rain Canopy | EKM-RC4020

Pole Mount kit



Pole Mount Kit | EKM-PMK

Louvres

Louvres



158H 78W	EKM-LV-1578
208H 90W	EKM-LV-2090
244H 90W	EKM-LV-2490
358H 129W	EKM-LV-3512
158H 78W*	EKM-LV-1578-S
244H 90W*	EKM-LV-2490-S

* Stainless Steel

Earth Bars

Earth / Neutral Bars



12 Poles	EKEB-12
18 Poles	EKEB-18
30 Poles	EKEB-30
48 Poles	EKEB-48
60 Poles	EKEB-60
Neutral feet (pk2)	EKEB-NLF

EKM electrical enclosure application examples

The EKM Series General purpose electrical enclosures are used to house and protect various types of electrical equipment, such as circuit breakers, power supplies, transformers, switches, and other control devices.

These enclosures are designed to protect against external elements such as dust, moisture, and physical damage.

General purpose electrical enclosures can be used in a variety of applications across different industries, including:

- 1. Industrial Automation:** EKM steel electrical enclosures are used to protect control devices, PLCs, and other electrical equipment from harsh industrial environments such as chemical plants, oil refineries, and power generation facilities.
- 2. Telecommunications:** EKM steel electrical enclosures are used to house network equipment, including routers, switches, and modems, and to protect them from environmental factors.
- 3. Transportation:** EKM steel electrical enclosures are used in transportation systems such as rail, automotive, and aviation, to protect electrical equipment from dust, moisture, and other external elements.
- 4. Building Automation:** EKM steel electrical enclosures are used in building automation systems to protect control equipment, including thermostats, security systems, and lighting controls.
- 5. Renewable Energy:** EKM steel electrical enclosures are used to protect inverters, transformers, and other electrical components used in solar and wind energy systems.
- 6. + much more...**

In summary, the EKM General Purpose electrical enclosures are essential components in a wide range of industries and applications, providing protection and security for sensitive electrical equipment.

Maintenance Recommendations

IEC 62208 is the international standard for metallic enclosures that are to be installed outdoors.

Standard IEC 62208 allows for a degree of rusting Ri1, in accordance with ISO 4628-3, and although in practice this degree of rusting does not affect the function or mechanical solidity of the enclosure, maintenance to avoid its aesthetic deterioration and to prolong its useful life is recommended.

- **Frequency:** Annual.
- **Visual inspection:** Detection of any harm to the surface such as scrapes or impacts that could have damaged the paint coating.
- **Initial sign of rust:** Due to scrapes, impacts or any other causes.
 - > Remove the surface rust.
 - > Abrade the rust to get rid of it completely.
- **Cleaning:** Clean the affected area with alcohol or an evaporating cleaner- **Paint:** Paint the affected surface with a synthetic paint.

Contact details

- Darren Nash T/A Peekn Services / Enclosure Solutions
- 2 Short St Heathcote NSW 2233
- ABN 15 924 167 896
- ekm@enclosuresolutions.com.au
- MBL Service: 0448 085 061