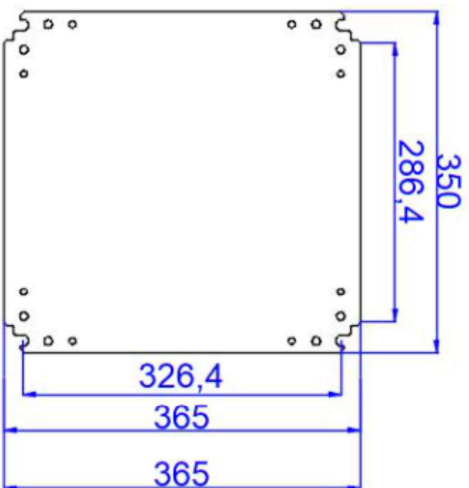
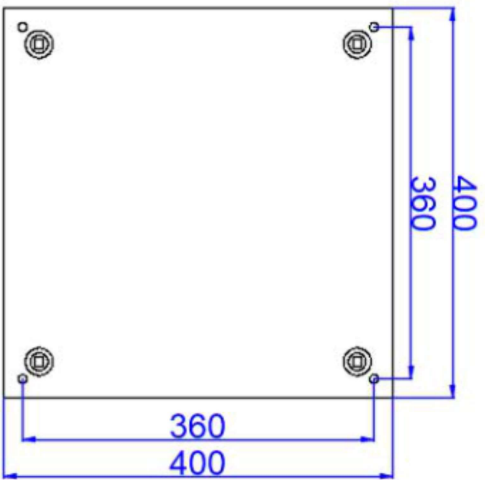
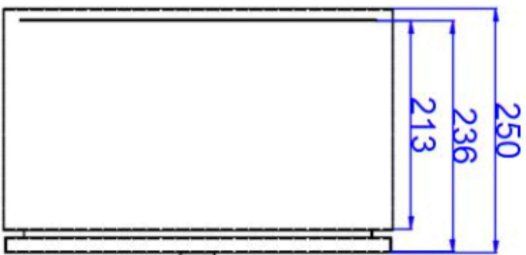
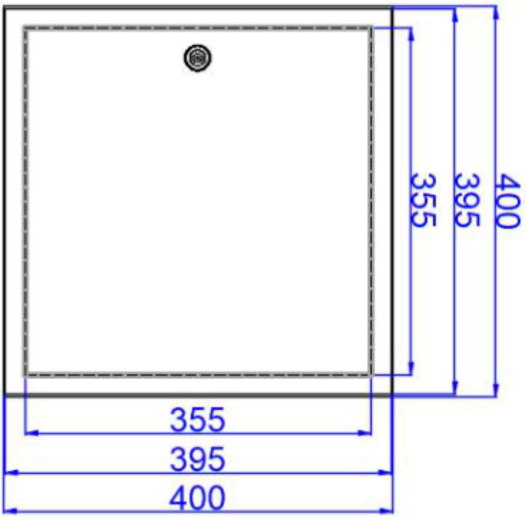
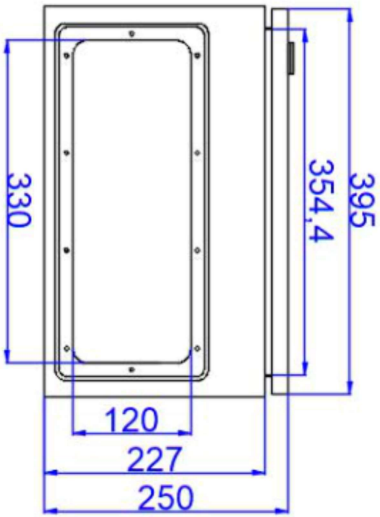


EKM404025 | 400H 400W 250D,  
IP66 Electrical Enclosure

**ENCLOSURE**  
**SOLUTIONS**

Heathcote NSW 2233  
0448 085 061  
ekm@enclosuresolutions.com.au



**NB:** Manufacturers drawings are subject to change without notice