

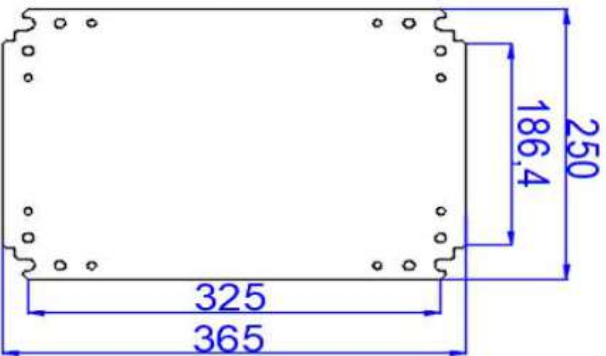
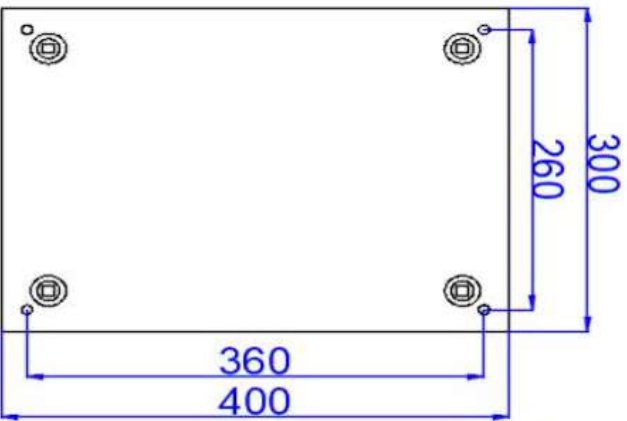
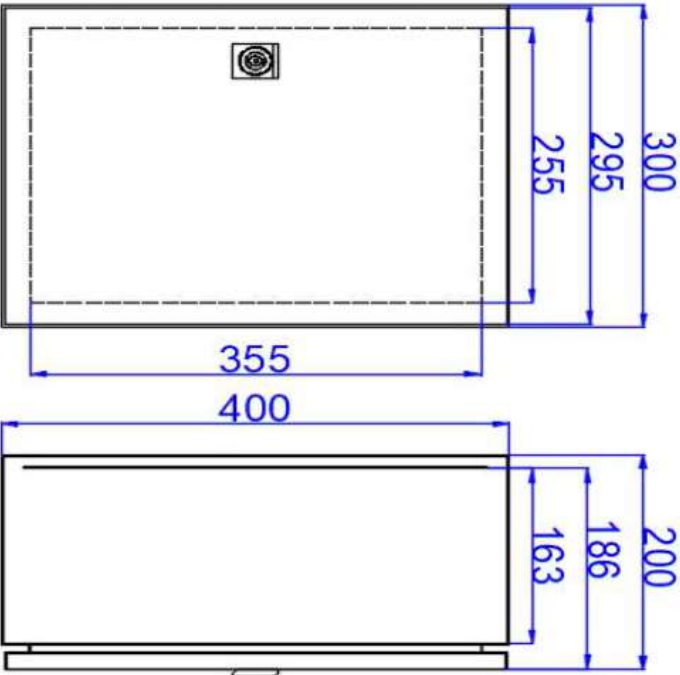
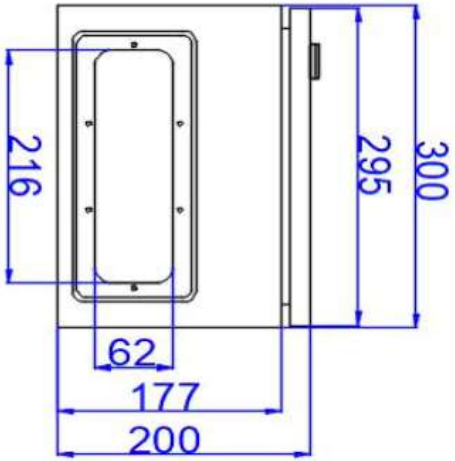
EKS403020 | 400H 300W 200D,  
IP66 316 SS Electrical Enclosure

**ENCLOSURE**  
**SOLUTIONS**

Heathcote NSW 2233

0448 085 061

ekm@enclosuresolutions.com.au



*NB: Manufacturers drawings are subject to change without notice*