

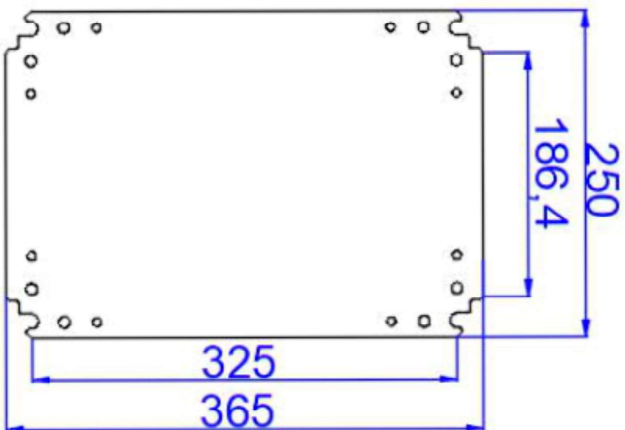
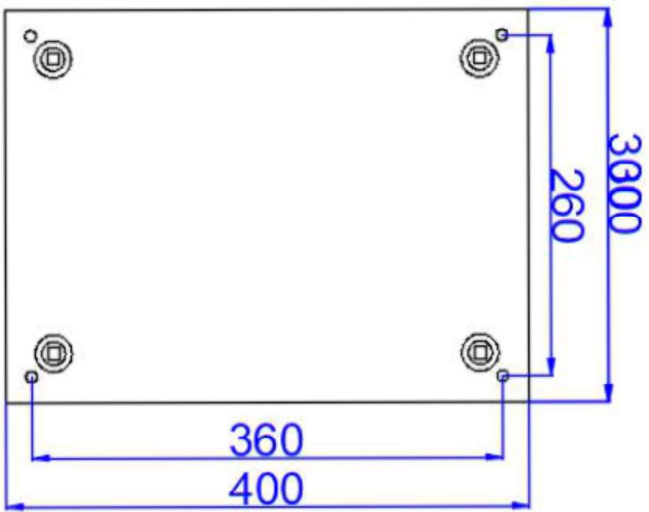
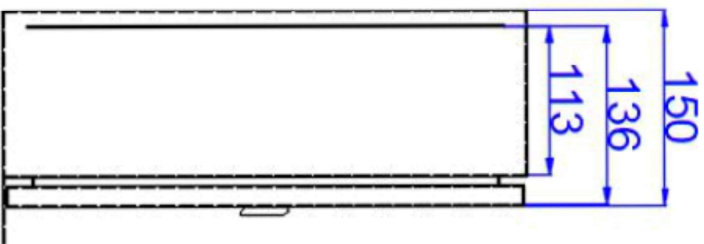
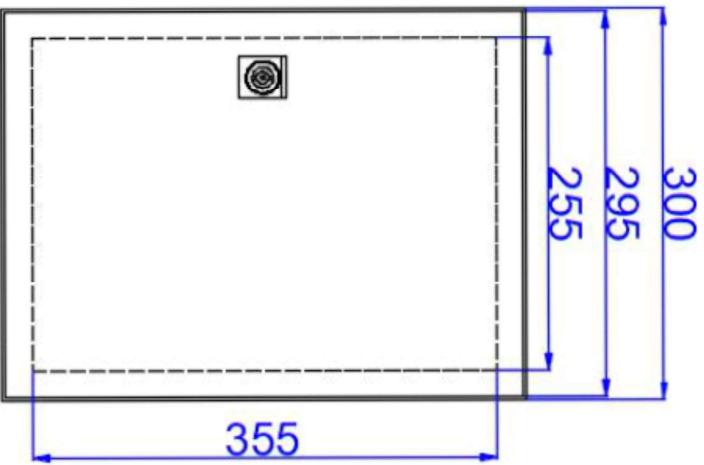
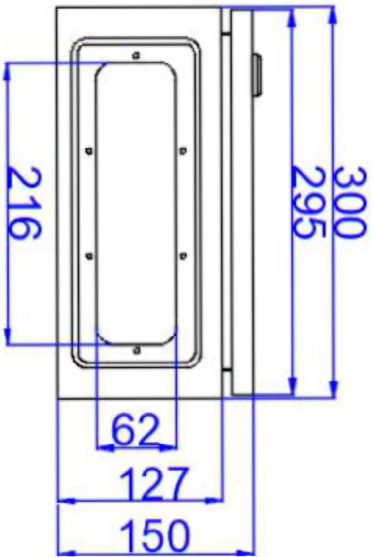
EKM403015 | 300H 300W 150D,  
IP66 Electrical Enclosure

**ENCLOSURE**  
**SOLUTIONS**

Heathcote NSW 2233

0448 085 061

[ekm@enclosuresolutions.com.au](mailto:ekm@enclosuresolutions.com.au)



**NB:** Manufacturers drawings are subject to change without notice